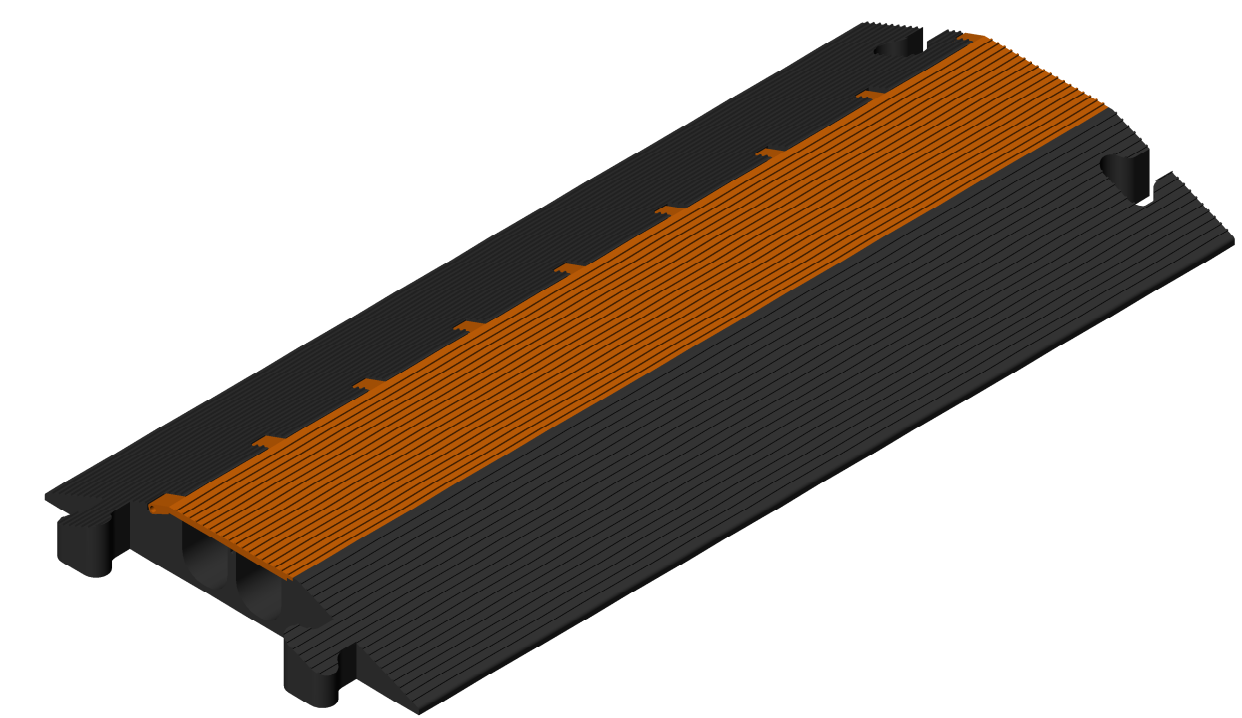
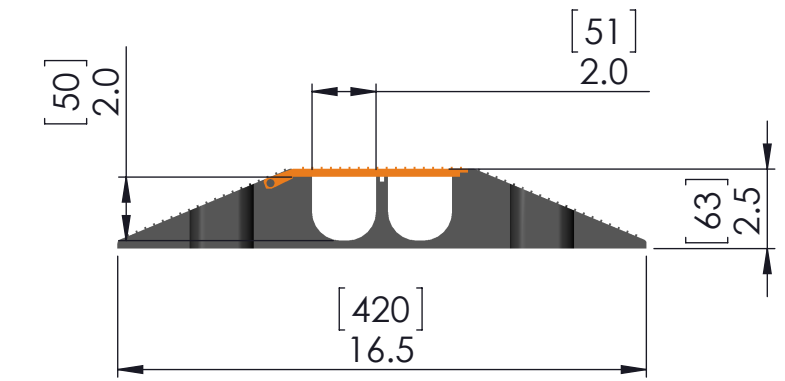
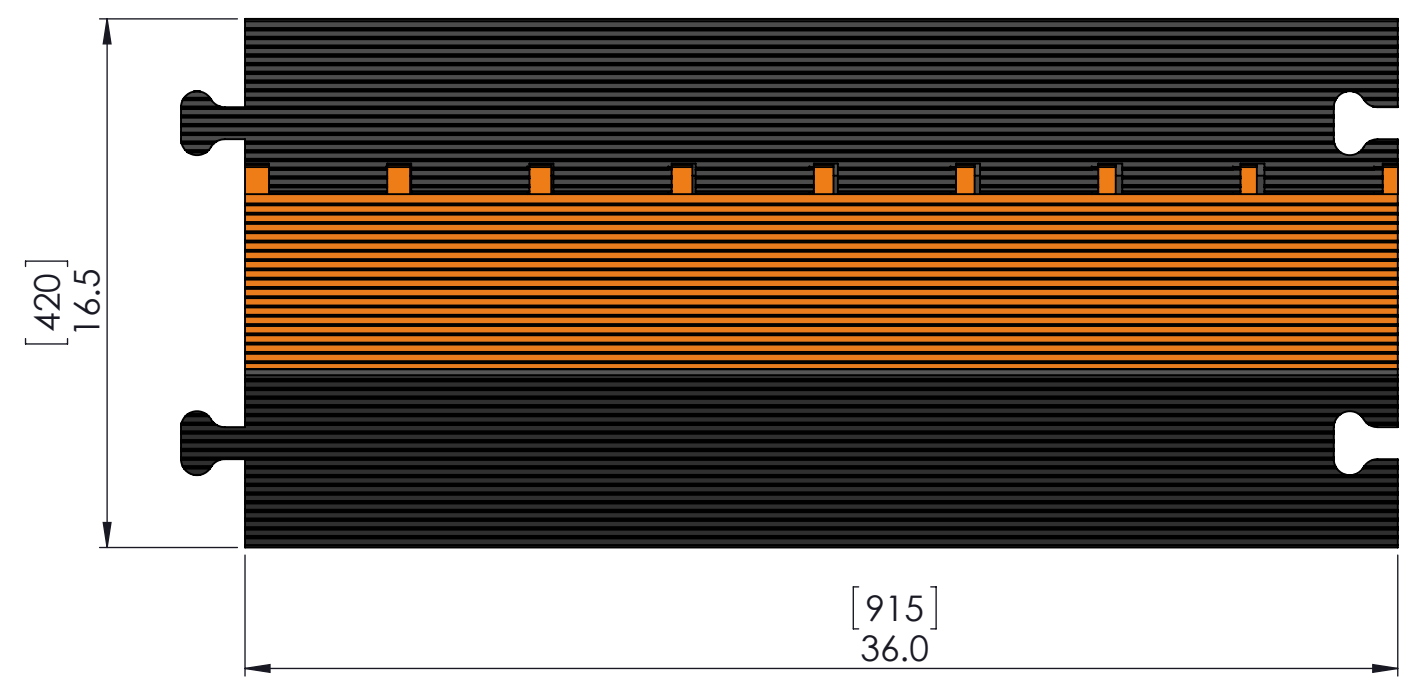


| ZONE | REV | DESCRIPTION         | DATE     | APPROVAL |
|------|-----|---------------------|----------|----------|
|      | 1   | PRELIMINARY RELEASE | 1/4/2017 | CN       |
|      |     |                     |          |          |
|      |     |                     |          |          |



| Technical Data Sheet - MG2200     |                          |                   |
|-----------------------------------|--------------------------|-------------------|
| Description                       | Imperial                 | Metric            |
| Product - Length x Width x Height | 36 x 16.5 x 2.5          | 915 x 420 x 63    |
| Channel Size                      | 2 x 2                    | 51 x 51           |
| Product Weight (lbs)              | 25.5                     | 11.5              |
| Load Capacity (lbs/axle)          | 33,000                   | 14,970            |
| Operating Temperature             | -20°F up to +140°F       | -30°C up to +60°C |
| Measurements are approximate      | Imperial = inches & lbs. | Metric = mm & kg. |

**Standard Colors - Black Base/Orange Lid**  
**Material - Polyurethane**  
**Durometer - 90 Shore A Base +/- 5 --- 55D Shore D Lid +/-5**  
**Manufacture in USA**

|   |   |   |  |
|---|---|---|--|
| <b>PROPRIETARY AND CONFIDENTIAL</b><br>THE INFORMATION CONTAINED IN THIS DRAWING IS THE SOLE PROPERTY OF THE ESAC. ANY REPRODUCTION IN PART OR AS A WHOLE WITHOUT THE WRITTEN PERMISSION OF THE ELASCO IS PROHIBITED. | UNLESS OTHERWISE SPECIFIED:<br>DIMENSIONS ARE IN INCHES<br>TOLERANCES:<br>FRACTIONAL: ± 1/32<br>ANGULAR: MACH ± 1° BEND ± 1°<br>.X = ± .1<br>.XX = ± .01<br>.XXX = ± .005 | <b>Elasco Products, LLC</b><br><b>18065 Redondo Circle</b><br><b>Huntington Beach, CA 92648</b> |  |
|   | UNLESS OTHERWISE SPECIFIED DIMENSIONS AND TOLERANCES PER ASME Y14.5M  | DRAWN: CN 1/4/2017<br>CHECKED:<br>APPROVED: ELECTRONIC SIGNATURE ON FILE                        | TITLE: <b>MIGHTY GUARD 2 Channel at 2.0"</b><br>SIZE: <b>B</b> DWG. NO. <b>MG2200</b> REV <b>1</b> |